



PRODUCT ASSEMBLY INSTRUCTIONS:



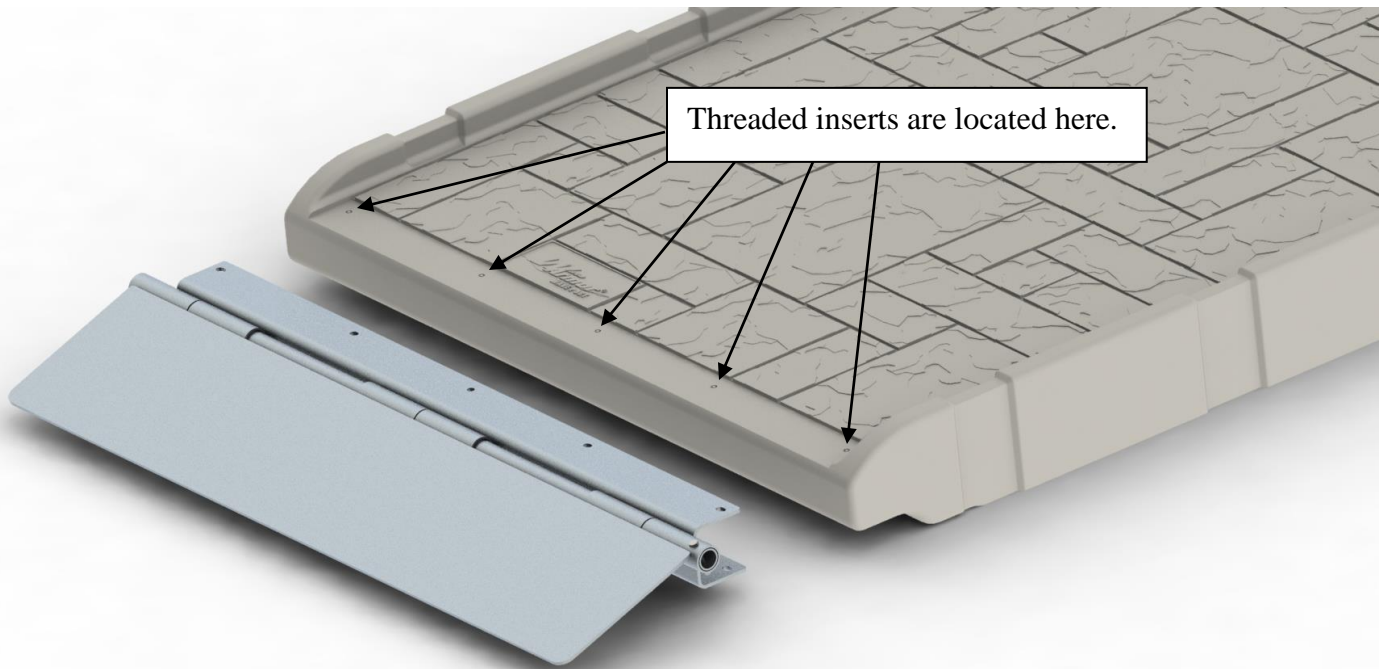
www.wavearmor.net

Item # | Product Name: #302121 12Ft Dock Ramp Transition Kit

Parts List:	Tools Needed:
1. Ramp Transition Hinge Assembly Qty 1	1. Ratchet and 9/16" socket
2. Hardware Bag containing: 3/8 x 1" bolt qty 10, lock washer qty 10, heavy washer qty 10, 3/8 x 2 1/2" bolt qty 1, 3/8 nylock nut qty 1	2. Hammer or Mallet
3.	3. Lubricant (optional)
4.	4.
5.	5.
6.	6.
7.	7.
8.	8.
9.	9.
10.	10.

Assembly Instructions:

1. Line up the transition hinge assembly with the dock ramp as shown below. Drive the U shaped opening on the hinge assembly onto the end of the dock ramp. The use of a hammer or mallet and some lubricant will make this easier.



2. Once the transition hinge is on the ramp, line up the holes in the hinge with the threaded inserts in the dock ramp. Thread the 3/8 x 1" bolts, lock washers and heavy washers through the holes and into the inserts. Repeat on the bottom side.



3. Line up the bolt holes at the end of the hinge tube. Insert 3/8 x 2 1/2" bolt through the holes and secure with the 3/8 nylock nut.

